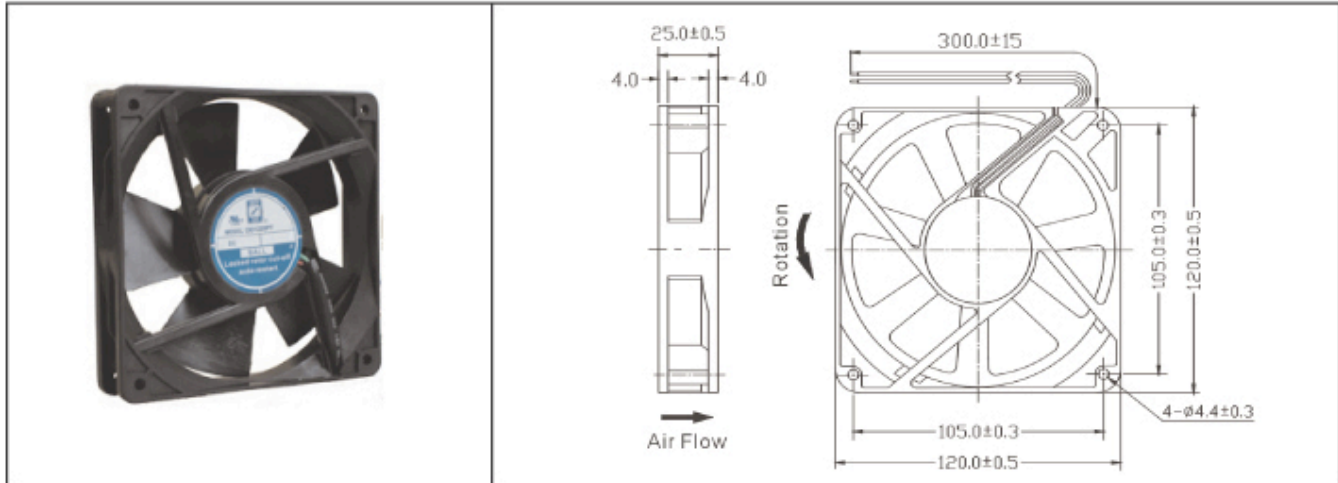


OD1225 Series



DC Fan - 12, 24, 48V
120x25mm (4.7"x 1.0")



Frame & Impeller	PBT, UL94V-O plastic	Available Options: Tachometer (FG) Alarm (RD) <u>Life Expectancy (L10)</u> Ball Bearing 60,000 hours (L10 at 40C) Sleeve Bearing 30,000 hours (L10 at 40C) <u>Operating Temperature</u> Ball Bearing -20C ~ +80C Sleeve Bearing -10C ~ +50C	
Connection	2x Lead wires or Terminals		
Motor	Brushless DC, auto restart, polarity protected		
Bearing System	Dual Ball or Sleeve		
Insulation Resistance	10M ohm between leadwire and frame (500VDC)		
Dielectric Strength	1 second at 500 VAC, max leakage - 500 MicroAmp		
Storage Temperature	-30C ~ +90C		

Model Number	Speed (RPM)	Airflow (CFM)	Noise (dB)	Volts DC	Voltage Range	Amps	Max. Static Pressure ("H2O)
OD1225-12H *	3000	86	42	12	7~17	0.45	0.24
OD1225-12M *	2500	70	35	12	7~17	0.35	0.19
OD1225-12L *	1800	45	25	12	7~17	0.20	0.15
OD1225-24H *	3000	86	42	24	10~29	0.23	0.24
OD1225-24M *	2500	70	35	24	10~29	0.22	0.19
OD1225-24L *	1800	45	25	24	10~29	0.17	0.15
OD1225-48H *	3000	86	42	48	18~53	0.10	0.24
OD1225-48M *	2500	70	35	48	18~53	0.07	0.19
OD1225-48L *	1800	45	25	48	18~53	0.06	0.15

* Apply one of the following suffixes to indicate preferred power connection and bearing type: "TB" (Terminal, Ball Bearing) or "B" (12" Wire Leads, Ball Bearing) or "TS" (Terminal, Sleeve Bearing) or "S" (12" Wire Leads, Sleeve Bearing)